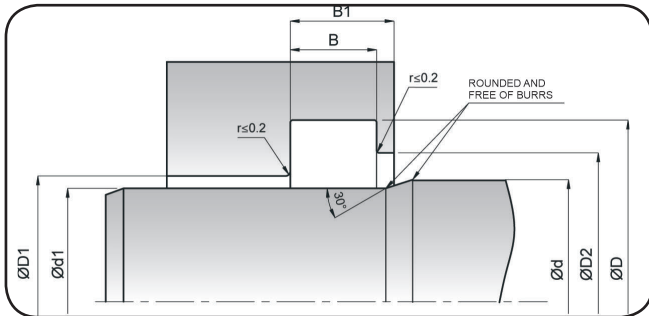




NEMATIC WIPER



MAIN FEATURES

The PP is a pneumatic cushioning seal with centring heels and pressure steps for end of stroke cushioning in pneumatic cylinders.

ADVANTAGES OF THIS PRODUCT

- Simple assembly
- Reliable cushioning due to pressure steps and self-centring

APPLICATION

Pneumatic cylinders

PP

DESCRIPTION

Pneumatic wiper with cushioning

SEAL MATERIAL

Polyurethane. 93 °Shores
NBR 90 °Shores

OPERATING CONDITIONS

NBR

MEDIUM Prepared and dry compressed air
TEMPERATURE: $-30^{\circ}\text{C} + 105^{\circ}\text{C}$
PRESSURE: ≤ 12 Bar
SPEED: ≤ 1.0 m/sec

POLYURETHANE

MEDIUM Prepared and dry compressed air
TEMPERATURE: $-30^{\circ}\text{C} + 105^{\circ}\text{C}$
PRESSURE ≤ 16 Bar
SPEED ≤ 1.0 m/sec

SURFACE ROUGHNESS

Sliding surface $\varnothing d \leq 4 \mu\text{m}$
Housing bottom $\varnothing D \leq 10 \mu\text{m}$
Housing sides $\leq 15 \mu\text{m}$

NOTES

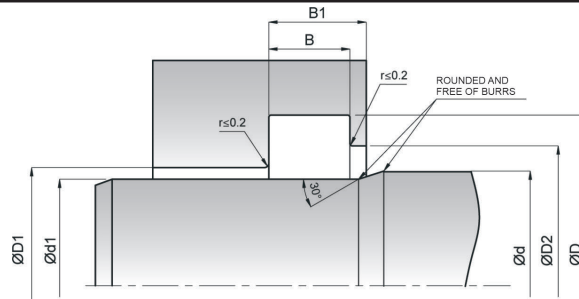
For special applications in high temperatures, the PP can be manufactured in FKM.

ASSEMBLY

It can be mounted manually in closed housings.

It is very important that the assembly tools are made of soft material and have no sharp edges. Before assembly, the seal must be lubricated with system oil.

PP



Mat	Mat	d (h10)	D (H11)	D1 max D (H11)	D2 (H11)	d1 (f8)	b1	b2	B (±0.1)	B1(±0.2)
NBR		8.00	11.60	8.50	10.00	4.00	3.50	2.80	3.30	5.30
NBR		9.50	15.00	10.00	12.00	5.50	4.60	3.70	4.50	6.50
NBR	PU	12.00	18.00	13.00	15.50	8.00	5.00	4.10	4.80	6.80
NBR	PU	12.00	20.00	13.00	17.00	8.00	7.80	6.20	7.00	9.00
NBR	PU	14.00	22.00	15.00	19.00	10.00	7.80	6.20	7.00	9.00
NBR	PU	16.00	24.00	17.00	21.00	12.00	7.80	6.20	7.00	9.00
NBR	PU	16.00	22.00	17.00	19.50	12.00	5.50	4.70	5.20	7.20
NBR	PU	20.00	28.00	21.00	24.00	16.00	7.80	6.20	7.00	9.00
NBR		22.00	30.00	23.00	26.00	18.00	7.80	6.20	7.00	9.00
NBR	PU	24.00	32.00	25.00	28.00	20.00	7.80	6.20	7.00	9.00
NBR	PU	25.00	33.00	26.00	29.00	21.00	7.80	6.20	7.00	9.00
	PU	25.00	35.00	26.00	30.00	21.00	7.80	6.20	7.00	9.00
NBR	PU	30.00	40.00	31.50	35.00	26.00	7.80	6.20	7.00	9.00
	PU	32.00	40.00	33.50	37.00	28.00	7.80	6.20	7.00	9.00
NBR	PU	36.00	46.00	37.50	41.00	32.00	7.80	6.20	7.00	9.00
NBR	PU	40.00	50.00	41.50	45.00	36.00	7.80	6.20	7.00	9.00
	PU	50.00	67.00	53.00	58.00	46.00	11.00	11.00	12.50	14.50
	PU	50.00	60.00	51.50	55.00	46.00	7.80	6.20	7.00	9.00
	PU	57.00	74.00	60.00	65.00	53.00	11.00	10.00	12.50	14.50
	PU	70.00	87.00	73.00	78.00	66.00	11.00	10.00	12.50	14.50