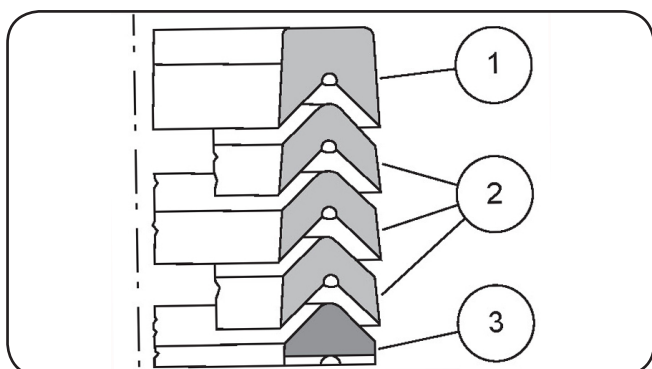


### PACKING



### MAIN FEATURES

The VP seal is designed to be a self-operating seal comprising a set of separately pressed elements with close tolerances.

It consists of V-ring seals made in several elements: a seat ring, three or more intermediate rings, and a cover ring.

#### 1- COVER RING

V-ring, upper support with cotton fabric coated with nitrile elastomer, with high hardness to absorb extrusion.

Material: Cotton fabric / NBR nitrile rubber  
Cotton fabric/FKM fluorine rubber.

#### 2- INTERMEDIATE RUBBER-FABRIC RING

Intermediate V-rings made in strips of cotton fabric in nitrile rubber.

Material: Cotton fabric / NBR nitrile rubber  
Cotton fabric/FKM fluorine rubber.

#### 3- LOWER BASE SUPPORT RING

The lower support is also made in strips of cotton fabric coated with nitrile rubber or phenolic resin or acetal resin. Its purpose is to provide firmness and prevent potential extrusion.

Material: Cotton fabric / NBR nitrile rubber  
Cotton fabric/FKM fluorine rubber.  
Polyacetal POM

# VP

### DESCRIPTION

V-angle packing

### MATERIAL

NBR nitrile rubber with natural cotton.

### OPERATING CONDITIONS

Speed: < 0.5 m/sec.

Pressure: < 400 Bar.

Temperature: - 40 to + 130°C

Fluid: Hydraulic oil

(mineral based)

(For other fluids, contact a technician)

### PROPERTIES

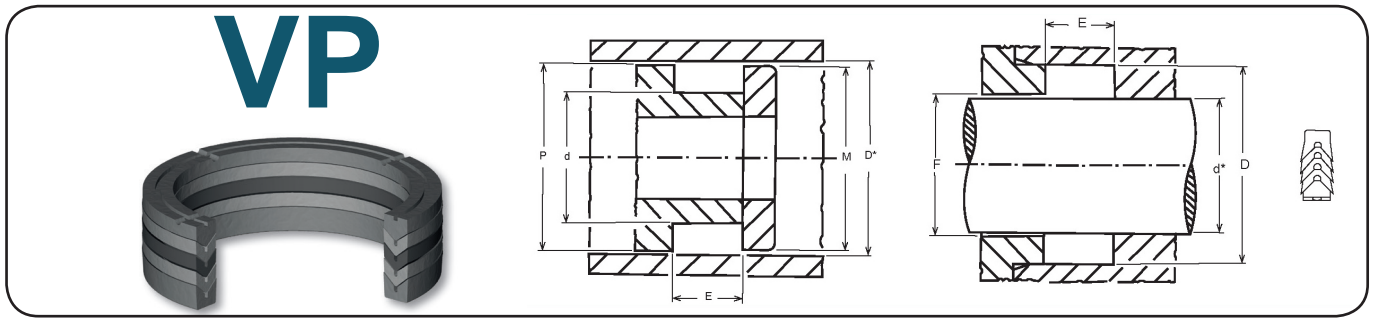
Sealing gasket for heavy-load applications, mainly for replacements in older installations.

- Work under extreme conditions
- High performance
- Can be used even on poorly finished surfaces.
- Possibility of leakage and high friction, depending on application

### APPLICATIONS

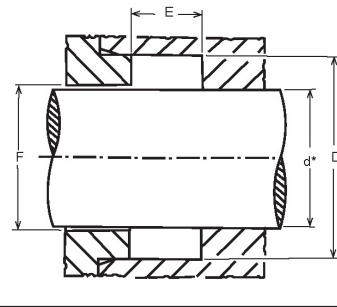
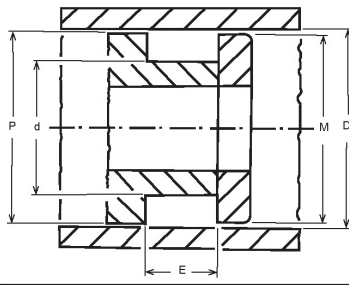
- Injection machinery.
- Metallurgical industry.
- Presses.
- Naval hydraulics.
- Machinery for scrap metal pressing

EXTER-NAL NO-MINAL	TOLERANCES NOMINAL DIMENSIONS VP						
0 -100	±0.03	ISO	ISO	0	d* maxi-mum	±0.1	D*
101-249>	±0.06	H 11	h 11	-0.25	0.30		-0.3
250	±0.08						

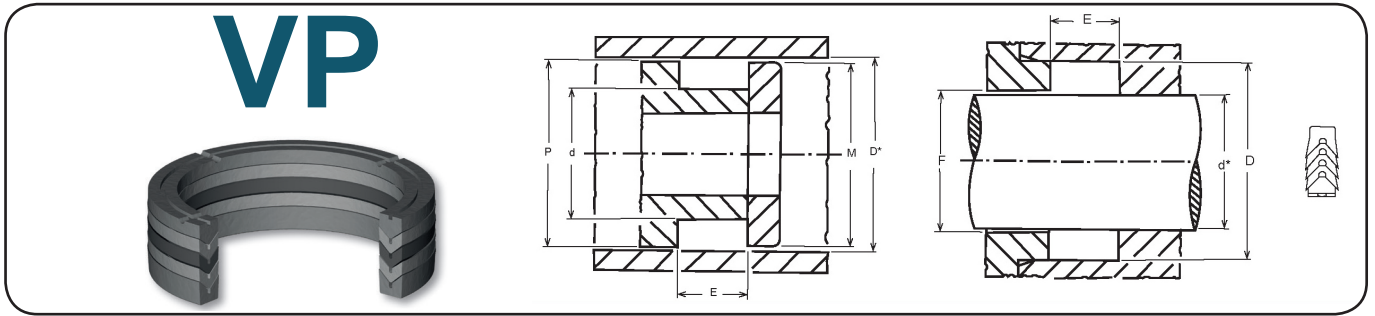


TYPE	Øint.	ØExt.	Ht.	Reference	Ø d/d*	Ø D/D*	E	M
VP	10.00	20.00	11.00	VP 078039/B	10.00	20.00	11.00	19.00
VP	12.00	25.00	14.32	VP 098047/B	12.00	25.00	14.32	24.00
VP	12.70	25.40	19.05	VP 100050	12.70	25.40	19.05	24.40
VP	14.00	27.00	14.32	VP 106055/B	14.00	27.00	14.32	26.00
VP	16.00	29.00	14.32	VP 114062/B	16.00	29.00	14.32	28.00
VP	18.00	31.00	14.32	VP 122070/B	18.00	31.00	14.32	30.00
VP	18.25	28.57	16.05	VP 112071	18.25	28.57	16.05	27.57
VP	19.05	31.75	19.84	VP 125075	19.05	31.75	19.84	30.75
VP	20.00	30.00	21.50	VP 118078	20.00	30.00	21.50	29.00
VP	20.00	31.50	17.50	VP 124078	20.00	31.50	17.50	30.50
VP	20.00	32.00	18.15	VP 125078	20.00	32.00	18.15	31.00
VP	20.00	33.00	14.32	VP 129078/B	20.00	33.00	14.32	32.00
VP	20.00	36.00	24.00	VP 141078	20.00	36.00	24.00	35.00
VP	20.64	30.15	15.87	VP 118081	20.64	30.15	15.87	29.15
VP	22.00	32.00	18.13	VP 125086	22.00	32.00	18.13	31.00
VP	22.00	38.00	26.00	VP 149086	22.00	38.00	26.00	37.00
VP	25.00	35.00	17.30	VP 137098	25.00	35.00	17.30	34.00
VP	25.00	37.00	22.50	VP 145098/G5	25.00	37.00	22.50	36.00
VP	25.00	40.00	19.84	VP 157098	25.00	40.00	19.84	39.00
VP	25.00	40.00	22.50	VP 157098/G5	25.00	40.00	22.50	39.00
VP	25.00	42.00	25.40	VP 165098	25.00	42.00	25.40	41.00
VP	25.00	45.00	25.40	VP 177098	25.00	45.00	25.40	44.00
VP	25.40	38.10	19.45	VP 150100	25.40	38.10	19.45	37.10
VP	26.00	45.00	29.37	VP 177102	26.00	45.00	29.37	44.00
VP	28.00	40.00	17.00	VP 157110	28.00	40.00	17.00	39.00
VP	28.00	40.00	22.50	VP 157110/G5	28.00	40.00	22.50	39.00
VP	28.00	44.00	17.62	VP 173110/B	28.00	44.00	17.62	43.00
VP	28.00	44.00	24.00	VP 173110/1	28.00	44.00	24.00	43.00
VP	28.57	41.27	19.84	VP 162112	28.57	41.27	19.84	40.27
VP	30.00	40.00	21.80	VP 157118	30.00	40.00	21.80	39.00
VP	30.00	42.00	20.00	VP 165118	30.00	42.00	20.00	41.00
VP	30.00	45.00	22.20	VP 177118	30.00	45.00	22.20	44.00
VP	30.00	45.00	22.50	VP 177118/G5	30.00	45.00	22.50	44.00
VP	30.00	50.00	29.37	VP 196118	30.00	50.00	29.37	49.00
VP	31.75	44.45	16.25	VP 175125/1	31.75	44.45	16.25	43.45
VP	31.75	44.45	19.05	VP 175125	31.75	44.45	19.05	43.45
VP	31.75	47.62	29.05	VP 187125	31.75	47.62	29.05	46.62
VP	32.00	42.00	17.30	VP 165125	32.00	42.00	17.30	41.00
VP	32.00	48.00	17.63	VP 188125/B	32.00	48.00	17.63	47.00

VP

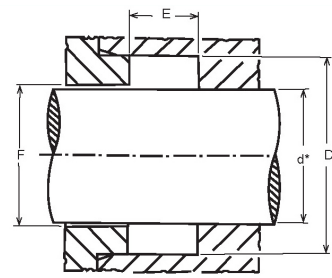
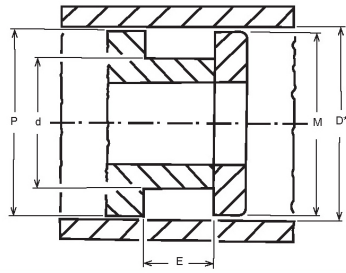
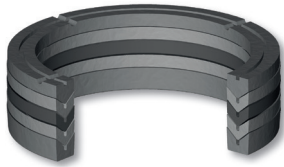


TYPE	Øint.	ØExt.	Ht.	Reference	Ø d/d*	Ø D/D*	E	M
VP	34.92	47.62	20.64	VP 187137	34.92	47.62	20.64	46.62
VP	34.92	50.80	24.21	VP 200137	34.92	50.80	24.21	49.80
VP	35.00	45.00	21.78	VP 177137	35.00	45.00	21.78	44.00
VP	35.00	50.00	22.50	VP 196137	35.00	50.00	22.50	49.00
VP	36.00	48.00	22.50	VP 188141/G5	36.00	48.00	22.50	47.00
VP	36.00	51.00	24.00	VP 200141	36.00	51.00	24.00	50.00
VP	36.00	52.00	17.60	VP 204141/B	36.00	52.00	17.60	51.00
VP	38.10	50.80	19.45	VP 200150	38.10	50.80	19.45	49.80
VP	38.10	53.97	25.27	VP 212150	38.10	53.97	25.27	52.97
VP	38.10	53.97	27.78	VP 212150/1	38.10	53.97	27.78	52.97
VP	38.00	55.00	28.00	VP 216149	38.00	55.00	28.00	54.00
VP	39.00	55.00	25.40	VP 216153	39.00	55.00	25.40	54.00
VP	40.00	50.00	17.30	VP 196157	40.00	50.00	17.30	49.00
VP	40.00	55.00	22.50	VP 216157/G5	40.00	55.00	22.50	54.00
VP	40.00	55.00	22.62	VP 216157	40.00	55.00	22.62	54.00
VP	40.00	55.00	26.19	VP 216157/1	40.00	55.00	26.19	54.00
VP	40.00	56.00	17.63	VP 220157/B	40.00	56.00	17.63	55.00
VP	40.00	60.00	30.00	VP 236157	40.00	60.00	30.00	59.00
VP	40.00	65.00	35.72	VP 255157	40.00	65.00	35.72	64.00
VP	44.45	57.15	21.83	VP 225175	44.45	57.15	21.83	56.15
VP	44.45	60.32	27.80	VP 237175	44.45	60.32	27.80	59.32
VP	45.00	55.00	17.50	VP 216177	45.00	55.00	17.50	54.00
VP	45.00	60.00	22.22	VP 236177	45.00	60.00	22.22	59.00
VP	45.00	60.00	22.50	VP 236177/G5	45.00	60.00	22.50	59.00
VP	45.00	65.00	27.50	VP 255157/G5	45.00	65.00	27.50	64.00
VP	45.00	65.00	28.00	VP 255177	45.00	65.00	28.00	64.00
VP	48.00	60.00	25.00	VP 236188	48.00	60.00	25.00	59.00
VP	48.00	62.00	22.22	VP 244188	48.00	62.00	22.22	61.00
VP	50.00	65.00	22.50	VP 255196/G5	50.00	65.00	22.50	64.00
VP	50.00	65.00	24.60	VP 255196	50.00	65.00	24.60	64.00
VP	50.00	65.00	26.00	VP 255196/1	50.00	65.00	26.00	64.00
VP	50.00	70.00	21.94	VP 275196/B	50.00	70.00	21.94	69.00
VP	55.00	70.00	26.50	VP 275216	55.00	70.00	26.50	69.00
VP	50.00	70.00	30.00	VP 275196	50.00	70.00	30.00	62.50
VP	50.80	63.50	19.84	VP 250200	50.80	63.50	19.84	65.67
VP	50.80	66.67	23.00	VP 262200	50.80	66.67	23.00	65.67
VP	50.80	66.67	25.27	VP 262200/1	50.80	66.67	25.27	68.85
VP	50.80	69.85	33.50	VP 275200	50.80	69.85	33.50	69.80
VP	50.80	70.80	38.50	VP 278200	50.80	70.80	38.50	68.00

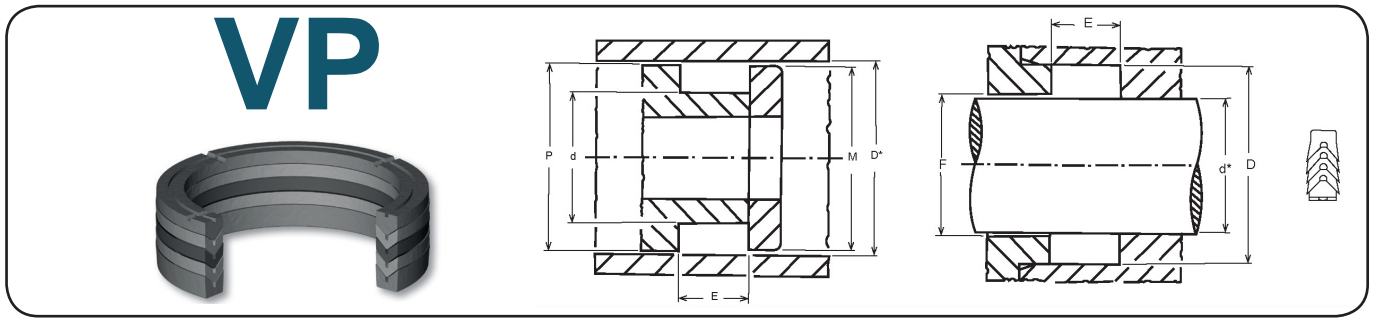


TYPE	Øint.	ØExt.	Ht.	Reference	Ø d/d*	Ø D/D*	E	M
VP	51.00	69.00	28.00	VP 271200	51.00	69.00	28.00	62.50
VP	53.97	63.50	16.67	VP 250212	53.97	63.50	16.67	65.67
VP	53.97	66.67	19.45	VP 262212	53.97	66.67	19.45	72.02
VP	53.97	73.02	31.75	VP 287212	53.97	73.02	31.75	68.85
VP	53.97	69.85	25.27	VP 275212	53.97	69.85	25.27	66.00
VP	55.00	67.00	25.00	VP 263216	55.00	67.00	25.00	69.00
VP	55.00	75.00	30.00	VP 295216	55.00	75.00	30.00	74.00
VP	55.00	75.00	31.00	VP 295216/2	55.00	75.00	31.00	74.00
VP	55.00	75.00	38.50	VP 295216/1	55.00	75.00	38.50	74.00
VP	55.00	80.00	33.73	VP 314216	55.00	80.00	33.73	79.00
VP	56.00	71.00	22.50	VP 279220/G5	56.00	71.00	22.50	70.00
VP	56.00	76.00	21.95	VP 299220/B	56.00	76.00	21.95	75.00
VP	56.00	76.00	33.40	VP 299220	56.00	76.00	33.40	75.00
VP	57.15	69.85	19.05	VP 275225	57.15	69.85	19.05	68.85
VP	57.15	73.02	27.78	VP 287225	57.15	73.02	27.78	72.02
VP	57.15	76.20	32.54	VP 300225	57.15	76.20	32.54	75.20
VP	60.00	75.00	19.00	VP 295236	60.00	75.00	19.00	74.00
VP	60.00	76.00	29.00	VP 299236	60.00	76.00	29.00	75.00
VP	60.00	77.00	27.00	VP 303236	60.00	77.00	27.00	76.00
VP	60.00	80.00	32.15	VP 314236	60.00	80.00	32.15	79.00
VP	60.00	80.00	37.00	VP 314236/G5	60.00	80.00	37.00	79.00
VP	63.00	83.00	21.94	VP 326248/B	63.00	83.00	21.94	82.00
VP	63.00	85.00	32.00	VP 334248	63.00	85.00	32.00	84.00
VP	63.50	76.20	18.25	VP 300250	63.50	76.20	18.25	75.20
VP	63.50	79.37	23.81	VP 312250	63.50	79.37	23.81	78.37
VP	63.50	80.00	28.00	VP 314250	63.50	80.00	28.00	79.00
VP	63.50	82.50	26.59	VP 325250	63.50	82.50	26.59	81.50
VP	63.50	82.50	31.62	VP 325250/1	63.50	82.50	31.62	81.50
VP	64.00	80.00	25.80	VP 314251	64.00	80.00	25.80	79.00
VP	65.00	77.00	21.00	VP 303225	65.00	77.00	21.00	76.00
VP	65.00	80.00	26.00	VP 314255	65.00	80.00	26.00	79.00
VP	65.00	85.00	29.00	VP 334255	65.00	85.00	29.00	84.00
VP	65.00	85.00	40.00	VP 334255/G5	65.00	85.00	40.00	84.00
VP	65.00	90.00	30.00	VP 354255	65.00	90.00	30.00	89.00
VP	66.30	85.00	24.13	VP 334261	66.30	85.00	24.13	84.00
VP	68.00	88.00	30.00	VP 346267	68.00	88.00	30.00	87.00
VP	69.85	85.72	23.81	VP 337275	69.85	85.72	23.81	84.72
VP	69.85	88.90	25.40	VP 350275	69.85	88.90	25.40	87.90
VP	69.85	88.90	33.50	VP 350275/1	69.85	88.90	33.50	87.90

VP

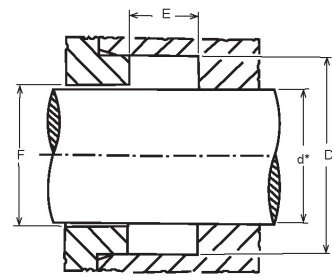
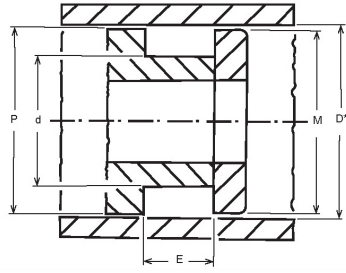


TYPE	Øint.	ØExt.	Ht.	Reference	Ø d/d*	Ø D/D*	E	M
VP	70.00	83.00	25.00	VP 326275	70.00	83.00	25.00	82.00
VP	70.00	85.00	22.50	VP 334275/G5	70.00	85.00	22.50	84.00
VP	70.00	85.00	28.00	VP 334275	70.00	85.00	28.00	84.00
VP	70.00	90.00	21.95	VP 354275/B	70.00	90.00	21.95	89.00
VP	70.00	90.00	30.00	VP 354275	70.00	90.00	30.00	89.00
VP	70.00	90.00	40.00	VP 354275/G5	70.00	90.00	40.00	89.00
VP	72.00	90.00	30.16	VP 354283	72.00	90.00	30.16	89.00
VP	73.02	88.90	26.58	VP 350287	73.02	88.90	26.58	87.90
VP	75.00	90.00	22.50	VP 354295	75.00	90.00	22.50	89.00
VP	75.00	90.00	22.50	VP 354295/G5	75.00	90.00	22.50	89.00
VP	75.00	95.00	31.50	VP 374295/1	75.00	95.00	31.50	94.00
VP	75.00	95.00	30.00	VP 374295	75.00	95.00	30.00	94.00
VP	75.00	100.00	30.00	VP 393295	75.00	100.00	30.00	99.00
VP	75.00	100.00	37.50	VP 393295/1	75.00	100.00	37.50	99.00
VP	76.20	88.90	16.27	VP 350300	76.20	88.90	16.27	87.90
VP	76.20	95.25	25.52	VP 375300/1	76.20	95.25	25.52	94.25
VP	76.20	95.25	28.97	VP 375300	76.20	95.25	28.97	94.25
VP	80.00	95.00	17.50	VP 374314	80.00	95.00	17.50	94.00
VP	80.00	95.00	22.50	VP 374314/G5	80.00	95.00	22.50	94.00
VP	80.00	100.00	30.00	VP 393314	80.00	100.00	30.00	99.00
VP	80.00	100.00	40.00	VP 393314/G5	80.00	100.00	40.00	99.00
VP	80.00	105.00	27.41	VP 413314/B	80.00	105.00	27.41	104.00
VP	82.55	95.25	21.72	VP 375325	82.55	95.25	21.72	94.25
VP	82.55	101.60	28.97	VP 400325	82.55	101.60	28.97	100.60
VP	85.00	100.00	17.30	VP 393334	85.00	100.00	17.30	99.00
VP	85.00	100.00	22.50	VP 393334/G5	85.00	100.00	22.50	99.00
VP	85.00	105.00	30.00	VP 413334	85.00	105.00	30.00	104.00
VP	85.72	101.60	26.75	VP 400337	85.72	101.60	26.75	100.60
VP	85.72	104.77	29.37	VP 412337	85.72	104.77	29.37	103.77
VP	88.90	101.60	17.00	VP 400350	88.90	101.60	17.00	100.60
VP	88.90	107.95	31.00	VP 425350	88.90	107.95	31.00	106.95
VP	88.90	107.95	33.33	VP 425350/1	88.90	107.95	33.33	106.95
VP	88.90	114.30	35.32	VP 450350	88.90	114.30	35.32	113.30
VP	89.00	105.00	25.80	VP 413350	89.00	105.00	25.80	104.00
VP	90.00	105.00	22.50	VP 413354	90.00	105.00	22.50	104.00
VP	90.00	105.00	31.75	VP 413354/G5	90.00	105.00	31.75	104.00
VP	90.00	105.00	33.53	VP 413354/1	90.00	105.00	33.53	104.00
VP	90.00	110.00	26.88	VP 433354	90.00	110.00	26.88	109.00
VP	90.00	110.00	25.00	VP 433354/1	90.00	110.00	25.00	109.00



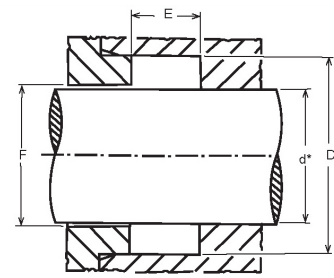
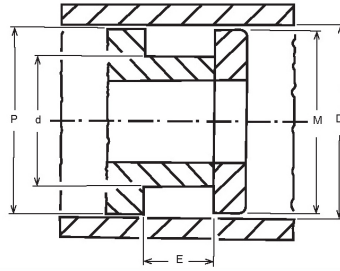
TYPE	Øint.	ØExt.	Ht.	Reference	Ø d/d*	Ø D/D*	E	M
VP	90.00	110.00	40.00	VP 433354/G5	90.00	110.00	40.00	109.00
VP	90.00	114.00	27.41	VP 452354/B	90.00	114.00	27.41	114.00
VP	92.07	111.13	29.37	VP 437362	92.07	111.13	29.37	110.13
VP	95.00	110.00	24.00	VP 433374	95.00	110.00	24.00	109.00
VP	95.00	120.00	41.00	VP 472374	95.00	120.00	41.00	119.00
VP	95.25	111.13	24.30	VP 437375	95.25	111.13	24.30	110.13
VP	95.25	114.30	25.40	VP 450375	95.25	114.30	25.40	113.30
VP	98.42	114.30	26.59	VP 450387	98.42	114.30	26.59	113.30
VP	98.42	123.82	36.96	VP 487387	98.42	123.82	36.96	122.82
VP	100.00	114.30	20.64	VP 450393	100.00	114.30	20.64	113.30
VP	100.00	115.00	25.30	VP 452393	100.00	115.00	25.30	114.00
VP	100.00	115.00	30.00	VP 452393/G5	100.00	115.00	30.00	114.00
VP	100.00	120.00	28.00	VP 472393	100.00	120.00	28.00	119.00
VP	100.00	120.00	31.00	VP 472393/1	100.00	120.00	31.00	119.00
VP	100.00	120.00	40.00	VP 472393/G5	100.00	120.00	40.00	119.00
VP	100.00	125.00	27.40	VP 492393/B	100.00	125.00	27.40	124.00
VP	100.00	125.00	36.90	VP 492393	100.00	125.00	36.90	124.00
VP	101.60	127.00	32.15	VP 500400	101.60	127.00	32.15	126.00
VP	104.00	130.00	37.00	VP 511409	104.00	130.00	37.00	129.00
VP	105.00	120.00	25.00	VP 472413	105.00	120.00	25.00	119.00
VP	105.00	125.00	29.76	VP 492413	105.00	125.00	29.76	124.00
VP	105.00	125.00	27.00	VP 492413/1	105.00	125.00	27.00	124.00
VP	105.00	135.00	35.50	VP 531413	105.00	135.00	35.50	134.00
VP	106.00	135.00	33.00	VP 531417	106.00	135.00	33.00	134.00
VP	107.95	127.00	30.00	VP 500425	107.95	127.00	30.00	126.00
VP	110.00	125.00	30.00	VP 492413/G5	110.00	125.00	30.00	124.00
VP	110.00	130.00	27.00	VP 511433/1	110.00	130.00	27.00	129.00
VP	110.00	130.00	30.00	VP 511433	110.00	130.00	30.00	129.00
VP	110.00	130.00	40.00	VP 511433/G5	110.00	130.00	40.00	129.00
VP	110.00	132.00	36.50	VP 519433	110.00	132.00	36.50	131.00
VP	110.00	135.00	41.50	VP 531433	110.00	135.00	41.50	134.00
VP	111.12	136.52	38.89	VP 537437	111.12	136.52	38.89	135.52
VP	114.30	127.00	18.41	VP 500450	114.30	127.00	18.41	126.00
VP	114.00	130.00	25.80	VP 511448	114.00	130.00	25.80	129.00
VP	114.30	133.35	28.18	VP 525450	114.30	133.35	28.18	132.35
VP	114.30	139.70	31.75	VP 550450	114.30	139.70	31.75	138.70
VP	114.30	139.70	33.50	VP 550450/1	114.30	139.70	33.50	138.70
VP	115.00	130.00	25.49	VP 511452	115.00	130.00	25.49	129.00
VP	115.00	140.00	37.12	VP 551452	115.00	140.00	37.12	139.00

VP



TYPE	Øint.	ØExt.	Ht.	Reference	Ø d/d*	Ø D/D*	E	M
VP	117.47	142.87	36.10	VP 562462	117.47	142.87	36.10	141.87
VP	120.00	140.00	30.00	VP 551472	120.00	140.00	30.00	139.00
VP	120.00	145.00	39.50	VP 570472	120.00	145.00	39.50	144.00
VP	120.00	145.00	50.00	VP 570472/G5	120.00	145.00	50.00	144.00
VP	120.00	150.00	44.00	VP 590472	120.00	150.00	44.00	149.00
VP	125.00	140.00	34.00	VP 551492/G5	125.00	140.00	34.00	139.00
VP	125.00	145.00	29.62	VP 570492	125.00	145.00	29.62	144.00
VP	125.00	150.00	27.40	VP 590492/B	125.00	150.00	27.40	149.00
VP	125.00	150.00	46.00	VP 590492/G5	125.00	150.00	46.00	149.00
VP	125.00	155.00	34.50	VP 610492	125.00	155.00	34.50	154.00
VP	127.00	152.40	38.63	VP 600500	127.00	152.40	38.63	151.40
VP	130.00	150.00	29.76	VP 590511	130.00	150.00	29.76	149.00
VP	130.00	155.00	40.00	VP 610511	130.00	155.00	40.00	154.00
VP	130.00	160.00	41.50	VP 629511	130.00	160.00	41.50	159.00
VP	130.00	160.00	43.50	VP 629511/1	130.00	160.00	43.50	159.00
VP	135.00	155.00	30.55	VP 610531	135.00	155.00	30.55	154.00
VP	139.70	165.10	37.30	VP 650550	139.70	165.10	37.30	164.10
VP	140.00	155.00	34.00	VP 610551/G5	140.00	155.00	34.00	154.00
VP	140.00	160.00	28.50	VP 629551	140.00	160.00	28.50	159.00
VP	140.00	165.00	41.95	VP 649551	140.00	165.00	41.95	164.00
VP	140.00	165.00	46.00	VP 649551/G5	140.00	165.00	46.00	164.00
VP	140.00	170.00	32.97	VP 669551/B	140.00	170.00	32.97	169.00
VP	145.00	170.00	38.10	VP 669570	145.00	170.00	38.10	169.00
VP	146.05	171.45	38.89	VP 675575	146.05	171.45	38.89	170.45
VP	150.00	170.00	30.56	VP 669590	150.00	170.00	30.56	169.00
VP	150.00	180.00	40.00	VP 708590	150.00	180.00	40.00	179.00
VP	152.40	177.80	33.34	VP 700600	152.40	177.80	33.34	176.80
VP	154.00	175.00	29.44	VP 688606	154.00	175.00	29.44	174.00
VP	157.00	182.00	30.25	VP 716618	157.00	182.00	30.25	181.00
VP	160.00	180.00	30.00	VP 708629	160.00	180.00	30.00	179.00
VP	160.00	180.00	40.00	VP 708629/G5	160.00	180.00	40.00	179.00
VP	160.00	190.00	32.97	VP 748629/B	160.00	190.00	32.97	189.00
VP	160.00	190.00	60.00	VP 784629/G5	160.00	190.00	60.00	189.00
VP	161.92	180.97	28.57	VP 712637	161.92	180.97	28.57	179.97
VP	170.00	195.00	37.50	VP 767669	170.00	195.00	37.50	194.00
VP	170.00	200.00	50.00	VP 787669	170.00	200.00	50.00	199.00
VP	171.45	187.32	24.20	VP 737675	171.45	187.32	24.20	186.32
VP	175.00	200.00	42.00	VP 787688	175.00	200.00	42.00	199.00
VP	177.80	196.85	31.00	VP 775700	177.80	196.85	31.00	195.85

# VP



TYPE	Øint.	ØExt.	Ht.	Reference	Ø d/d*	Ø D/D*	E	M
VP	177.80	203.20	32.54	VP 800700	177.80	203.20	32.54	202.20
VP	180.97	203.20	31.75	VP 800712	180.97	203.20	31.75	202.20
VP	180.00	210.00	32.97	VP 826708/B	180.00	210.00	32.97	209.00
VP	187.32	200.00	21.74	VP 787737	187.32	200.00	21.74	199.00
VP	190.50	222.25	50.00	VP 875750	190.50	222.25	50.00	221.25
VP	200.00	230.00	32.97	VP 905787/B	200.00	230.00	32.97	229.00
VP	205.00	225.00	19.48	VP 885807	205.00	225.00	19.48	224.00
VP	210.00	240.00	34.50	VP 944826	210.00	240.00	34.50	239.00
VP	210.00	240.00	42.10	VP 944826/1	210.00	240.00	42.10	239.00
VP	220.00	250.00	52.00	VP 984866	220.00	250.00	52.00	249.00
VP	224.00	254.00	32.97	VP 1000881/B	224.00	254.00	32.97	253.00
VP	228.60	254.00	38.10	VP 1000900	228.60	254.00	38.10	253.00
VP	228.60	260.35	48.52	VP 1025900	228.60	260.35	48.52	259.35
VP	240.00	270.00	45.00	VP 1062944	240.00	270.00	45.00	269.00
VP	250.00	270.00	32.00	VP 1062984	250.00	270.00	32.00	269.00
VP	250.00	280.00	32.97	VP 1102984/B	250.00	280.00	32.97	279.00
VP	254.00	279.40	38.10	VP 11001000	254.00	279.40	38.10	278.40
VP	268.29	298.45	45.24	VP 11751056	268.29	298.45	45.24	297.45
VP	269.88	307.98	53.97	VP 12121062	269.88	307.98	53.97	306.98
VP	280.00	315.00	38.45	VP 12401102/B	280.00	315.00	38.45	314.00
VP	288.93	307.98	28.57	VP 12121137	288.93	307.98	28.57	306.98
VP	290.00	320.00	50.80	VP 12591141	290.00	320.00	50.80	319.00
VP	300.00	320.00	32.00	VP 12591181	300.00	320.00	32.00	319.00
VP	304.80	330.20	38.10	VP 13001200	304.80	330.20	38.10	329.20
VP	310.00	330.00	30.00	VP 12991220	310.00	330.00	30.00	329.00
VP	315.00	350.00	38.45	VP 13771240/B	315.00	350.00	38.45	349.00
VP	320.00	365.00	55.00	VP 14371259	320.00	365.00	55.00	364.00
VP	340.00	380.00	60.00	VP 14961338	340.00	380.00	60.00	379.00
VP	350.00	390.00	60.00	VP 15351377	350.00	390.00	60.00	389.00
VP	355.60	381.00	38.10	VP 15001400	355.60	381.00	38.10	380.00
VP	368.30	406.40	57.15	VP 16001450	368.30	406.40	57.15	405.40
VP	369.00	400.00	45.00	VP 15741452	369.00	400.00	45.00	399.00
VP	400.00	440.00	54.00	VP 17321574	400.00	440.00	54.00	439.00
VP	416.00	450.00	50.00	VP 17711637	416.00	450.00	50.00	449.00
VP	420.00	460.00	51.60	VP 18111653	420.00	460.00	51.60	459.00
VP	463.00	500.00	55.00	VP 19681822	463.00	500.00	55.00	499.00
VP	505.00	545.00	60.00	VP 21451988	505.00	545.00	60.00	544.00
VP	700.00	750.00	73.00	VP 29532756	700.00	750.00	73.00	749.00