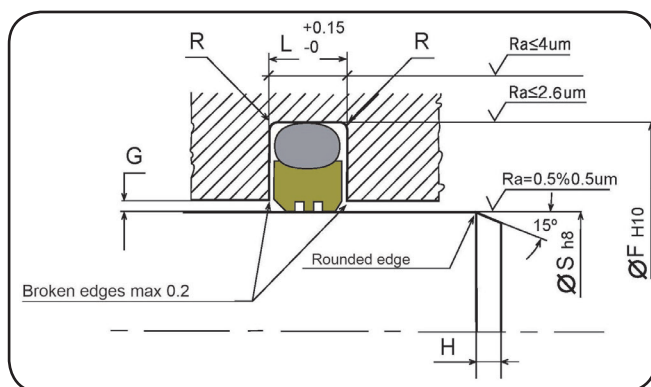


ROTARY ROD SEAL



MAIN FEATURES

MAIN FEATURE

The ISVR seal, a double-acting seal for rotating applications, consists of a PTFE ring activated by an O-ring. The seal configuration ensures effective leakage control over the entire pressure range from zero to 400 bar. The low friction and anti stick-slip properties of the compounds ensure smooth rotation. The small installation sizes enable a compact design. This is a great advantage in rotary applications with a large number of openings to be sealed.

ADVANTAGES OF ISVR SEALS

- Long durability
- High pressure and stable temperature.
- Low operating torque.
- Smooth operation
- Compact design
- Compatible with most fluids.

ISVR

DESCRIPTION

Double-acting rod seal.

MATERIAL

PTFE WITH LOAD + NBR OR FKM

OPERATING CONDITIONS

Working pressure - < 400 bar. For higher pressures, please contact our Technical Department

Temperature: -40 +120°C.

For temperatures exceeding this range, please contact our Technical Department.

Speed: Reciprocating up to 15 m/sec.

Helical motion up to 5 m/sec.

Frequency up to 5 Hz.

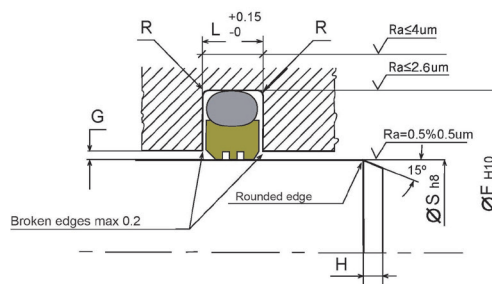
Durability:

The durability of the ISVR is affected by a number of factors, the most important being pressure, speed, surface roughness, fluid and the ability of the seal to reject the heat generated. Only testing under actual operating parameters will determine the exact durability.

MEDIUM	O - RING MATERIAL
Hydraulic oil	NBR (Bruna N)
Engine oil	
Grease	In temperatures above 120° use
Other mineral oils	Viton O-Ring
Water	
Air, dry or lubricated	
Water, Steam	EPDM (Ethylene propylene)
Hydraulic fluids	Special Compounds
Synthetics	

Fluid	Contact surface	ISVR Material
Hydraulic oil	Steel	
Engine oil	Chrome-plated steel	66
Grease	Cast Iron	
Other oils		
Water	Aluminium	
Steam	Stainless steel	
Non-lubricating fluids	Bronze	22
Air, dry or lubricated	Soft metals	

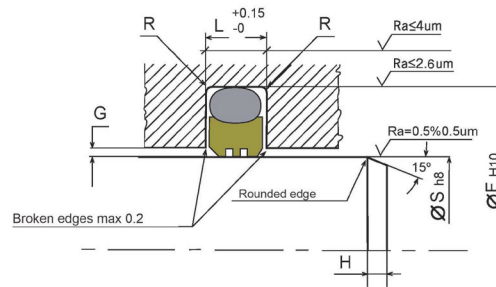
ISVR



Standard rod Ø S h8	Housing diameter Ø F H10	Gap depth	Housing width L + 0.15	Radio R re	Diametral clearance 10 Mpa G 20 Mpa G	Pressu- Mpa G	Chamfer H	O-Ring size	O-ring Ø thickness
6 : 18.9	4.9S +	2.45	2.2	0.4	0.15	0.1	2	2.0S +	1.78
19 : 37.9	7.5S +	3.75	3.2	0.6	0.2	0.15	2.5	3.4S +	2.62
38 : 199.9	11.0S +	5.5	4.2	0.8	0.25	0.2	3.5	5.1S +	3.53
200 : 255.9	15.5S +	7.75	6.3	1.3	0.3	0.25	5	6.9S +	5.33
256 : 649.9	21.0S +	10.5	8.1	1.5	0.3	0.25	6.5	9.5S +	6.99
650 : 999.9	28.0S +	14	9.5	2.5	0.45	0.3	7.5	14.0S +	8.4

REFERENCE	Ø ROD D h8	Ø EXTERNAL F	WIDTH L	O-RING		
ISVR-0060-66	6.00	10.90	2.2	S+2.0	x	1.78
ISVR-0080-66	8.00	12.90	2.2	S+2.0	x	1.78
ISVR-0100-66	10.00	14.90	2.2	S+2.0	x	1.78
ISVR-0120-66	12.00	16.90	2.2	S+2.0	x	1.78
ISVR-0140-66	14.00	18.90	2.2	S+2.0	x	1.78
ISVR-0150-66	15.00	19.90	2.2	S+2.0	x	1.78
ISVR-0160-66	16.00	20.90	2.2	S+2.0	x	1.78
ISVR-0180-66	18.00	22.90	2.2	S+2.0	x	1.78
ISVR-0200-66	20.00	27.50	3.2	S+2.0	x	2.62
ISVR-0220-66	22.00	29.50	3.2	S+2.0	x	2.62
ISVR-0250-66	25.00	32.50	3.2	S+3.4	x	2.62
ISVR-0280-66	28.00	35.50	3.2	S+3.4	x	2.62
ISVR-0300-66	30.00	37.50	3.2	S+3.4	x	2.62
ISVR-0320-66	32.00	39.50	3.2	S+3.4	x	2.62
ISVR-0350-66	35.00	42.50	3.2	S+3.4	x	2.62
ISVR-0360-66	36.00	43.50	3.2	S+3.4	x	2.62
ISVR-0400-66	40.00	51.00	4.2	S+3.4	x	3.53
ISVR-0420-66	42.00	53.00	4.2	S+3.4	x	3.53
ISVR-0450-66	45.00	56.00	4.2	S+3.4	x	3.53
ISVR-0480-66	48.00	59.00	4.2	S+3.4	x	3.53
ISVR-0500-66	50.00	61.00	4.2	S+3.4	x	3.53
ISVR-0520-66	52.00	63.00	4.2	S+3.4	x	3.53
ISVR-0550-66	55.00	66.00	4.2	S+3.4	x	3.53
ISVR-0560-66	56.00	67.00	4.2	S+3.4	x	3.53
ISVR-0600-66	60.00	71.00	4.2	S+5.1	x	3.53
ISVR-0630-66	63.00	74.00	4.2	S+5.1	x	3.53
ISVR-0650-66	65.00	76.00	4.2	S+5.1	x	3.53
ISVR-0700-66	70.00	81.00	4.2	S+5.1	x	3.53
ISVR-0750-66	75.00	86.00	4.2	S+5.1	x	3.53
ISVR-0800-66	80.00	91.00	4.2	S+5.1	x	3.53

ISVR



Standard rod Ø S h8	Housing diameter Ø F H10	Gap depth	Housing width L + 0.15	Radio R re	Diametral clearance Pressu- 10 Mpa G 20 Mpa G	Chamfer H	O-Ring size	O-ring Ø thickness	
6 : 18.9	4.9S +	2.45	2.2	0.4	0.15	0.1	2	2.0S +	1.78
19 : 37.9	7.5S +	3.75	3.2	0.6	0.2	0.15	2.5	3.4S +	2.62
38 : 199.9	11.0S +	5.5	4.2	0.8	0.25	0.2	3.5	5.1S +	3.53
200 : 255.9	15.5S +	7.75	6.3	1.3	0.3	0.25	5	6.9S +	5.33
256 : 649.9	21.0S +	10.5	8.1	1.5	0.3	0.25	6.5	9.5S +	6.99
650 : 999.9	28.0S +	14	9.5	2.5	0.45	0.3	7.5	14.0S +	8.4

REFERENCE	Ø ROD D h8	Ø EXTERNAL F	WIDTH L	O-RING
ISVR-0850-66	85.00	96.00	4.2	S+5.1 x 3.53
ISVR-0900-66	90.00	101.00	4.2	S+5.1 x 3.53
ISVR-0950-66	95.00	106.00	4.2	S+5.1 x 3.53
ISVR-1000-66	100.00	111.00	4.2	S+5.1 x 3.53
ISVR-1050-66	105.00	116.00	4.2	S+5.1 x 3.53
ISVR-1100-66	110.00	121.00	4.2	S+5.1 x 3.53
ISVR-1150-66	115.00	126.00	4.2	S+5.1 x 3.53
ISVR-1200-66	120.00	131.00	4.2	S+5.1 x 3.53
ISVR-1250-66	125.00	136.00	4.2	S+5.1 x 3.53
ISVR-1300-66	130.00	141.00	4.2	S+5.1 x 3.53
ISVR-1350-66	135.00	146.00	4.2	S+5.1 x 3.53
ISVR-1400-66	140.00	151.00	4.2	S+5.1 x 3.53
ISVR-1500-66	150.00	161.00	4.2	S+5.1 x 3.53
ISVR-1600-66	160.00	171.00	4.2	S+5.1 x 3.53
ISVR-1700-66	170.00	181.00	4.2	S+5.1 x 3.53
ISVR-1800-66	180.00	191.00	4.2	S+5.1 x 3.53
ISVR-1900-66	190.00	201.00	4.2	S+5.1 x 3.53
ISVR-2000-66	200.00	215.50	6.3	S+6.9 x 5.33
ISVR-2100-66	210.00	225.50	6.3	S+6.9 x 5.33
ISVR-2200-66	220.00	235.50	6.3	S+6.9 x 5.33
ISVR-2400-66	240.00	255.50	6.3	S+6.9 x 5.33
ISVR-2500-66	250.00	265.50	6.3	S+6.9 x 5.33
ISVR-2800-66	280.00	301.00	8.1	S+9.5 x 6.99
ISVR-3000-66	300.00	321.00	8.1	S+9.5 x 6.99
ISVR-3200-66	320.00	341.00	8.1	S+9.5 x 6.99
ISVR-3500-66	350.00	371.00	8.1	S+9.5 x 6.99
ISVR-3600-66	360.00	381.00	8.1	S+9.5 x 6.99
ISVR-4000-66	400.00	421.00	8.1	S+9.5 x 6.99
ISVR-4200-66	420.00	441.00	8.1	S+9.5 x 6.99
ISVR-4500-66	450.00	471.00	8.1	S+9.5 x 6.99