

CPV2

DESCRIPTION

Double-lip polyurethane closure collar for rod

MATERIAL

Polyurethane. Hardness: 93° Sh A.

OPERATING CONDITIONS

Speed: < 0.5 m/sec.
 Pressure: 40 Mpa.
 Temperature: - 40 to + 100°C
 Fluid: Hydraulic oil
 (mineral based)
 (For other fluids, contact a technician)

EXTRUSION GAP "G"

The maximum coupling clearance on the side opposite to the pressure direction.

- ° 50 bar. 1.20 mm
- ° 100 bar. 0.80 mm
- ° 200 bar. 0.40 mm
- ° 300 bar. 0.25 mm
- ° 400 bar. 0.17 mm

SURFACE ROUGHNESS

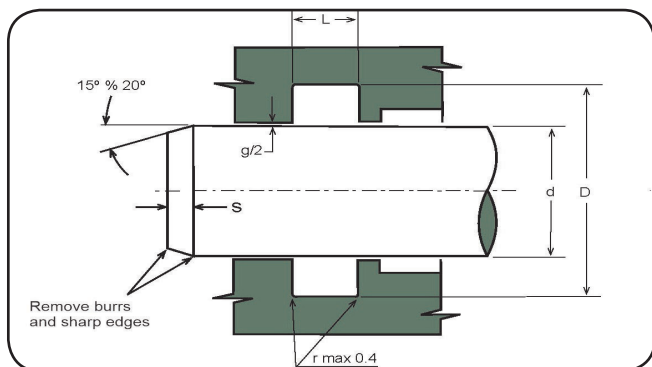
Dynamic surface Ra < 0.3 µm Rt < 2.5 µm
 Static surface Ra < 1.6 µm Rt < 6.3 µm

ACCEPTANCE CHAMFER

D	S minimum
° Less than 100 5 mm	5 mm
° From 100 to 200 7 mm	7 mm
° more than 200 10 mm	10 mm

•The "D" and "d" dimensions in black are those recommended by the CETOP standard.

DOUBLE-LIP COLLAR ROD



MAIN FEATURES

The CPV2 seal ensures a good reaction against shock pressure peaks and low friction in the low pressure range.

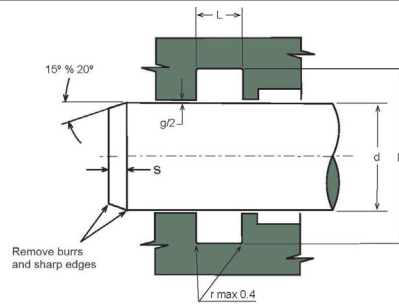
Asymmetrical lips are designed to perform differently on static and dynamic surfaces: the static lip is flexible and more sensitive to pressure fluctuations; the dynamic lip is shorter and stronger to concentrate on the load against the dynamic surface.

Wear and dry running are largely prevented by the additional lubricant retained within the space created by the secondary lip.

The material used to produce this seal is a polyurethane compound which ensures excellent wear resistance properties, long service life and resistance against extrusion.

- Long service life
- High resistance to extrusion.
- Excellent wear resistance.
- Good resistance to temperature
- Insensitive to structural deflections.
- Easy installation without additional costs

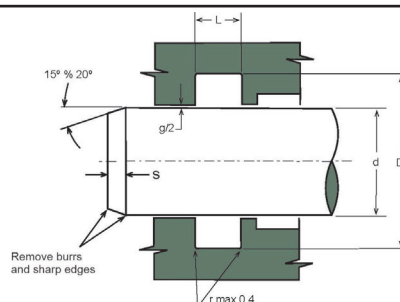
CPV2



Type	ØInt	Øext.	Ht.	df7	DH10	L±0.25
CPV2	5.00	10.00	3.50	5.00	10.00	4.00
CPV2	6.00	11.00	3.50	6.00	11.00	4.00
CPV2	7.00	12.00	4.00	7.00	12.00	4.50
CPV2	12.00	22.00	8.00	12.00	22.00	9.00
CPV2	16.00	24.00	5.80	16.00	24.00	6.30
CPV2	16.00	24.00	6.00	16.00	24.00	7.00
CPV2	20.00	26.00	5.00	20.00	26.00	5.50
CPV2	20.00	28.00	5.70	20.00	28.00	6.20
CPV2	20.00	28.00	6.00	20.00	28.00	7.00
CPV2	22.00	28.00	5.80	22.00	28.00	6.30
CPV2	22.00	30.00	5.80	22.00	30.00	6.30
CPV2	22.00	30.00	6.00	22.00	30.00	7.00
CPV2	25.00	33.00	5.50	25.00	33.00	6.00
CPV2	25.00	33.00	5.80	25.00	33.00	6.30
CPV2	25.00	33.00	6.50	25.00	33.00	7.50
CPV2	25.00	35.00	7.00	25.00	35.00	8.00
CPV2	26.00	36.00	10.00	26.00	36.00	11.00
CPV2	28.00	38.00	7.30	28.00	38.00	8.30
CPV2	28.00	38.70	3.70	28.00	38.70	4.20
CPV2	30.00	38.00	5.80	30.00	38.00	6.30
CPV2	30.00	40.00	6.00	30.00	40.00	7.00
CPV2	30.00	40.00	7.00	30.00	40.00	8.00
CPV2	30.00	40.00	7.30	30.00	40.00	8.30
CPV2	30.00	40.00	10.00	30.00	40.00	11.00
CPV2	30.00	40.70	3.70	30.00	40.70	4.20
CPV2	30.00	42.00	11.00	30.00	42.00	12.00
CPV2	32.00	40.00	6.50	32.00	40.00	7.50
CPV2	32.00	41.53	7.90	32.00	41.53	8.90
CPV2	32.00	42.00	7.30	32.00	42.00	8.30
CPV2	32.00	45.00	10.00	32.00	45.00	11.00
CPV2	35.00	43.00	7.00	35.00	43.00	8.00
CPV2	35.00	45.00	7.20	35.00	45.00	8.20
CPV2	35.00	45.70	3.70	35.00	45.70	4.20
CPV2	36.00	44.00	6.00	36.00	44.00	7.00
CPV2	36.00	46.00	7.00	36.00	46.00	8.00
CPV2	36.00	46.00	10.00	36.00	46.00	11.00
CPV2	38.00	48.00	8.00	38.00	48.00	9.00
CPV2	38.00	48.00	10.00	38.00	48.00	11.00

Type	ØInt	Øext.	Ht.	df7	DH10	L±0.25
CPV2	40.00	48.00	5.80	40.00	48.00	6.30
CPV2	40.00	49.52	9.50	40.00	49.52	10.50
CPV2	40.00	50.00	6.00	40.00	50.00	7.00
CPV2	40.00	50.00	7.00	40.00	50.00	8.00
CPV2	40.00	50.00	8.00	40.00	50.00	9.00
CPV2	40.00	50.00	10.00	40.00	50.00	11.00
CPV2	40.00	52.00	11.00	40.00	52.00	12.00
CPV2	40.00	55.00	10.00	40.00	55.00	11.00
CPV2	40.00	55.10	5.80	40.00	55.10	6.30
CPV2	42.00	50.00	5.80	42.00	50.00	6.30
CPV2	45.00	53.00	5.80	45.00	53.00	6.30
CPV2	45.00	55.00	6.00	45.00	55.00	7.00
CPV2	45.00	55.00	7.00	45.00	55.00	8.00
CPV2	45.00	55.00	10.00	45.00	55.00	11.00
CPV2	45.00	60.00	11.50	45.00	60.00	12.50
CPV2	45.00	60.10	5.80	45.00	60.10	6.30
CPV2	50.00	57.00	9.00	50.00	57.00	10.00
CPV2	50.00	57.00	10.00	50.00	57.00	11.00
CPV2	50.00	59.60	5.80	50.00	59.60	6.30
CPV2	50.00	60.00	7.00	50.00	60.00	8.00
CPV2	50.00	60.00	10.00	50.00	60.00	11.00
CPV2	50.00	65.00	10.00	50.00	65.00	11.00
CPV2	50.00	65.10	5.80	50.00	65.10	6.30
CPV2	55.00	63.00	11.50	55.00	63.00	12.50
CPV2	55.00	63.15	13.00	55.00	63.15	14.00
CPV2	55.00	65.00	8.50	55.00	65.00	9.50
CPV2	55.00	65.00	10.00	55.00	65.00	11.00
CPV2	56.00	71.00	8.50	56.00	71.00	9.50
CPV2	56.00	71.00	11.50	56.00	71.00	12.50
CPV2	60.00	68.00	8.00	60.00	68.00	9.00
CPV2	60.00	69.30	5.50	60.00	69.30	6.20
CPV2	60.00	70.00	7.00	60.00	70.00	8.00
CPV2	60.00	70.00	14.00	60.00	70.00	15.00
CPV2	60.00	75.00	12.00	60.00	75.00	13.00
CPV2	63.00	73.00	6.00	63.00	73.00	7.00
CPV2	63.00	78.00	10.00	63.00	78.00	11.00
CPV2	63.00	78.00	11.50	63.00	78.00	12.50
CPV2	65.00	73.00	9.00	65.00	73.00	10.00

CPV2



Type	ØInt	Øext.	Ht.	df7	DH10	L±0.25
CPV2	65.00	73.00	11.50	65.00	73.00	12.50
CPV2	65.00	75.00	6.00	65.00	75.00	7.00
CPV2	65.00	77.00	9.00	65.00	77.00	10.00
CPV2	65.00	77.75	8.00	65.00	77.75	9.00
CPV2	65.00	80.00	12.00	65.00	80.00	13.00
CPV2	70.00	80.00	11.50	70.00	80.00	12.50
CPV2	70.00	80.00	12.00	70.00	80.00	13.00
CPV2	70.00	85.00	11.50	70.00	85.00	12.50
CPV2	75.00	83.00	11.50	75.00	83.00	12.50
CPV2	75.00	85.00	11.50	75.00	85.00	12.50
CPV2	78.00	86.15	13.00	78.00	86.15	14.00
CPV2	78.00	88.00	14.00	78.00	88.00	15.00
CPV2	80.00	90.00	7.00	80.00	90.00	8.00
CPV2	80.00	90.00	8.00	80.00	90.00	9.00
CPV2	80.00	95.00	11.50	80.00	95.00	12.50
CPV2	80.00	100.00	12.00	80.00	100.00	13.00
CPV2	85.00	93.00	10.00	85.00	93.00	11.00
CPV2	85.00	93.00	11.50	85.00	93.00	12.50
CPV2	88.90	101.60	9.50	88.90	101.60	10.50
CPV2	90.00	98.00	11.50	90.00	98.00	12.50
CPV2	90.00	100.00	11.50	90.00	100.00	12.50
CPV2	90.00	105.00	11.50	90.00	105.00	12.50
CPV2	90.00	110.00	14.00	90.00	110.00	15.00
CPV2	95.00	103.00	11.50	95.00	103.00	12.50
CPV2	99.00	109.00	14.00	99.00	109.00	15.00
CPV2	100.00	110.00	10.00	100.00	110.00	11.00
CPV2	100.00	110.00	11.50	100.00	110.00	12.50
CPV2	100.00	115.00	12.00	100.00	115.00	13.00
CPV2	100.00	120.00	12.00	100.00	120.00	13.00
CPV2	100.00	120.00	15.00	100.00	120.00	16.00
CPV2	105.00	113.00	11.50	105.00	113.00	12.50
CPV2	105.00	113.15	13.00	105.00	113.15	14.00
CPV2	105.00	115.00	11.50	105.00	115.00	12.50
CPV2	105.00	120.00	10.00	105.00	120.00	11.00
CPV2	110.00	120.00	10.50	110.00	120.00	11.50
CPV2	110.00	130.00	15.00	110.00	130.00	16.00
CPV2	115.00	123.00	11.50	115.00	123.00	12.50
CPV2	115.00	125.00	12.00	115.00	125.00	13.00

Type	ØInt	Øext.	Ht.	df7	DH10	L±0.25
CPV2	118.00	133.00	9.80	118.00	133.00	10.80
CPV2	120.00	130.00	14.00	120.00	130.00	15.00
CPV2	120.00	140.00	15.00	120.00	140.00	16.00
CPV2	125.00	133.00	11.50	125.00	133.00	12.50
CPV2	125.00	135.00	11.00	125.00	135.00	12.00
CPV2	125.00	145.00	15.00	125.00	145.00	16.00
CPV2	135.00	143.00	11.50	135.00	143.00	12.50
CPV2	135.00	150.00	11.50	135.00	150.00	12.50
CPV2	141.00	151.00	14.00	141.00	151.00	15.00
CPV2	145.00	160.00	12.00	145.00	160.00	13.00
CPV2	150.00	160.00	11.00	150.00	160.00	12.00
CPV2	155.00	163.00	11.50	155.00	163.00	12.50
CPV2	160.00	170.00	11.50	160.00	170.00	12.50
CPV2	162.00	172.00	14.00	162.00	172.00	15.00
CPV2	175.00	185.00	11.00	175.00	185.00	12.00
CPV2	180.00	190.00	10.00	180.00	190.00	11.00
CPV2	183.00	193.00	14.00	183.00	193.00	15.00
CPV2	207.00	217.00	14.00	207.00	217.00	15.00
CPV2	1.25	1.75	0.25	31.75	44.45	7.00
CPV2	1.50	2.00	0.34	38.10	50.80	9.50
CPV2	3.50	4.25	0.62	88.90	107.95	16.75