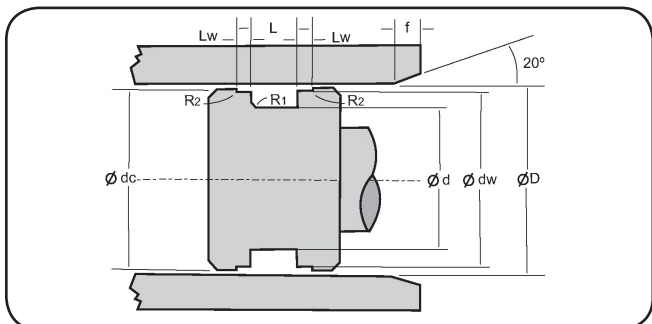




DOUBLE-ACTING PISTON SEAL

**MAIN FEATURES**

Compact seal composed by an elastomer sealing element, reinforced with fabric, and two guide rings for the anti-extrusion function. Its textile reinforcement with high mechanical resistance, excellent thermal stability, coated with hydraulic oil makes it a great lubricant, reducing friction at start-up.

Its nitrile rubber-based elastomer with optimum elastic properties, arranged on the inner side to provide the seal with the necessary radial deformation to ensure even load distribution against the cylinder wall.

Its two acetal resin anti-extrusion guide rings improve dimensional stability and increase resistance to deformation and extrusion.

The PDL seal is designed for assembly in monoblock pistons. For new developments, the use of more modern series is recommended.

**DIMENSIONAL TOLERANCE**

D	d	L	Lw	dw	dc	R1/R2
H11	0.10	0.20	0.10	0.05	0.15	>0.40

# PDL

**DESCRIPTION**

Double-acting canvas rubber piston seal with guide ring.

**SEAL MATERIAL**

NBR Nitrile Rubber + POM Fabric  
Hardness: 80 Shore A

**GUIDE RING MATERIAL**

Acetal resin.

**OPERATING CONDITIONS**

Speed: < 1.5 m/sec.  
Pressure: < 500 Bar.  
Temperature: -20 to + 120°C

Fluid: Hydraulic oil  
(mineral based)  
(Other fluid contact our technical department)

Surface roughness:  
The maximum coupling clearance on the side opposite to the pressure direction.

- ° 300 bar. 1.0 mm
- ° 500 bar. 0.6 mm

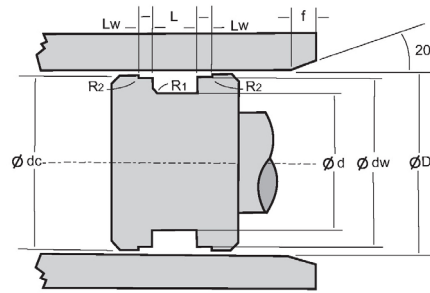
Acceptance chamfer

D	S minimum
° Less than 100 5 mm	5 mm
° From 100 to 200 7 mm	7 mm
° more than 200 10 mm	10 mm

**ADVANTAGES**

- ° Good sealing performance at low pressure
- ° Good mechanical stability at high temperature
- ° Perfect cylinder guiding control
- ° Simple execution of the piston in one piece
- ° Easy installation
- ° Perfect fluid control
- ° High extrusion resistance

# PDL



	Size		Reference	D H 11	d +0.1	L+0.2	Lw +0.10	dw + 0.05	dc+ 0.15	R1/R2	
PDL	25.00	17.00	10.00	PS 2517/1	25.00	17.00	10.00	4.00	22.00	24.00	0.40
PDL	32.00	24.00	15.50	PS 3224	32.00	24.00	15.50	3.20	28.00	31.40	0.40
PDL	32.00	24.00	10.00	PS 3224/1	32.00	24.00	10.00	4.00	29.00	31.00	0.40
PDL	35.00	27.00	15.50	PS 3527	35.00	27.00	15.50	3.20	31.00	34.40	0.40
PDL	40.00	32.00	15.50	PS 4032	40.00	32.00	15.50	3.20	36.00	39.40	0.40
PDL	40.00	32.00	10.00	PS 4032/1	40.00	32.00	10.00	4.00	37.00	39.00	0.40
PDL	45.00	37.00	15.50	PS 4537	45.00	37.00	15.50	3.20	41.00	44.40	0.40
PDL	50.00	38.00	20.50	PS 5038	50.00	38.00	20.50	4.20	46.00	49.40	0.40
PDL	50.00	40.00	12.50	PS 5040/1	50.00	40.00	12.50	4.00	47.00	49.00	0.40
PDL	55.00	43.00	20.50	PS 5543	55.00	43.00	20.50	4.20	51.00	54.40	0.40
PDL	60.00	48.00	20.50	PS 6048	60.00	48.00	20.50	4.20	56.00	59.40	0.40
PDL	63.00	51.00	20.50	PS 6351	63.00	51.00	20.50	4.20	59.00	62.40	0.40
PDL	63.00	53.00	12.50	PS 6353/1	63.00	53.00	12.50	4.00	60.00	62.00	0.40
PDL	65.00	53.00	20.50	PS 6553	65.00	53.00	20.50	4.20	61.00	64.40	0.40
PDL	70.00	58.00	20.50	PS 7058	70.00	58.00	20.50	4.20	66.00	69.40	0.40
PDL	75.00	63.00	20.50	PS 7563	75.00	63.00	20.50	4.20	71.00	74.40	0.40
PDL	80.00	65.00	20.00	PS 8065/1	80.00	65.00	20.00	5.00	76.00	78.50	0.40
PDL	80.00	66.00	22.50	PS 8066	80.00	66.00	22.50	5.20	76.00	79.40	0.40
PDL	85.00	71.00	22.50	PS 8571	85.00	71.00	22.50	5.20	81.00	84.40	0.40
PDL	90.00	76.00	22.50	PS 9076	90.00	76.00	22.50	5.20	86.00	89.40	0.40
PDL	100.00	85.00	20.00	PS 10085/1	100.00	85.00	20.00	5.00	96.00	98.50	0.40
PDL	100.00	86.00	22.50	PS 10086	100.00	86.00	22.50	5.20	96.00	99.40	0.40
PDL	110.00	96.00	22.50	PS 11096	110.00	96.00	22.50	5.20	106.00	109.40	0.40
PDL	120.00	106.00	22.50	PS 120106	120.00	106.00	22.50	5.20	116.00	119.40	0.40
PDL	90.00	76.00	22.50	PS 9076	90.00	76.00	22.50	5.20	86.00	89.40	0.40
PDL	125.00	108.00	26.50	PS 125108	125.00	108.00	26.50	7.20	121.00	124.40	0.40
PDL	140.00	120.00	25.00	PS 140120/1	140.00	120.00	25.00	6.30	135.00	138.00	0.40
PDL	140.00	123.00	26.50	PS 140123	140.00	123.00	26.50	7.20	136.00	139.40	0.40
PDL	150.00	133.00	26.50	PS 150133	150.00	133.00	26.50	7.20	146.00	149.40	0.40
PDL	160.00	140.00	25.00	PS 160140/1	160.00	140.00	25.00	6.30	155.00	158.00	0.40
PDL	160.00	143.00	26.50	PS 160143	160.00	143.00	26.50	7.20	156.00	159.40	0.40
PDL	180.00	163.00	26.50	PS 180163	180.00	163.00	26.50	7.20	176.00	179.40	0.40
PDL	200.00	170.00	36.00	PS 200170/1	200.00	170.00	36.00	12.50	192.00	197.00	0.40
PDL	200.00	180.00	31.50	PS 200180	200.00	180.00	31.50	9.20	196.00	199.40	0.40
PDL	220.00	200.00	31.50	PS 220200	220.00	200.00	31.50	9.20	216.00	219.40	0.40
PDL	250.00	230.00	31.50	PS 250230	250.00	230.00	31.50	9.20	246.00	249.40	0.40