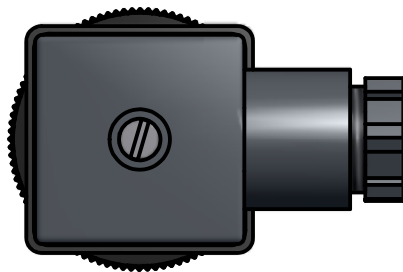
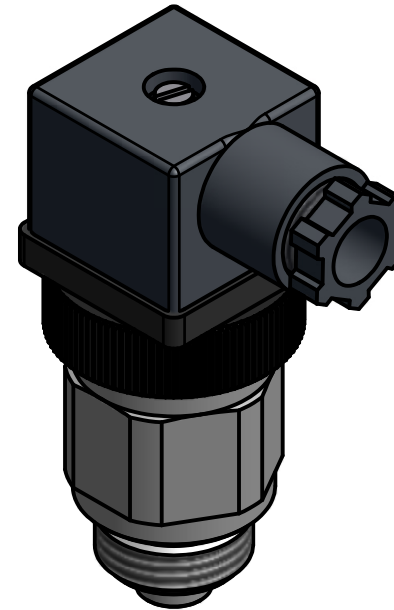
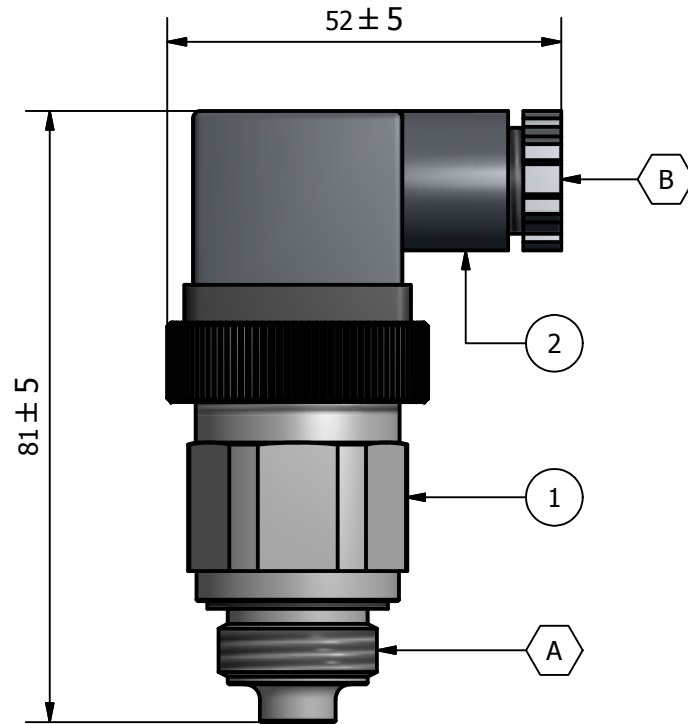


TRASDUTTORE DI TEMPERATURA TT41-M3



PART	CONNECTION	THREAD
A	Hydraulic	1/2" BSP
B	Electric	M3
Elenco parti		
N°	NUMERO PARTE	
1	CORPO TT4	
2	CONNETTORE M3	

	Date	Name:	DESCRIPTION:
DRAWN:	22/11/2018	C.F.	trasduttore di temperatura TT41-M3
CHECKED:	22/11/2018	C.A.	
APPROVED:			
CAD ref.:		FOX S.r.l. Via Romagna 6 20090 Opera (MI) ITALY	DRAWING No/FILE NAME 18-DW-TT41-M3

THIS DRAWING IS PROPERTY OF FOX S.r.l. COPYRIGHT , PATENTS AND ALL INDUSTRIAL PROPERTY RIGHTS RESERVED