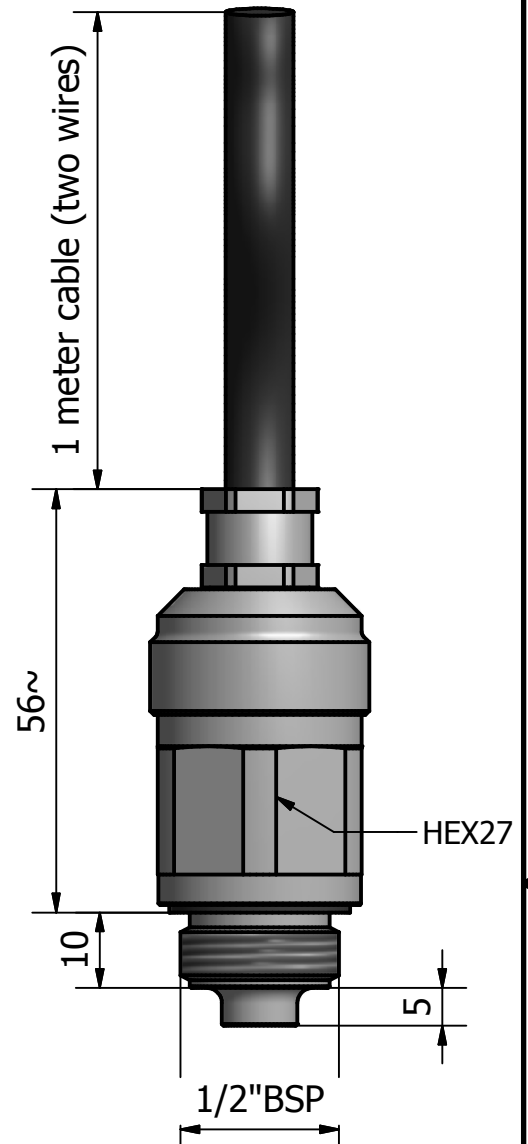


TEMPERATURE TRANSDUCER TT41-20/1M/IP67



TECHNICAL FEATURES

- Body: nickel-plated brass / INOX
- Hydraulic connection: 1/2" BSP male
- Temperature measurement range: from -20°C to 100°C
- Storage temperature: from -40°C to 120 °C
- Electric protection: IP67 with 3 meter Cable
- Signal: 4-20mA > 1=24VDC 2=OUT 4>20mA
- Power supply: from 11VDC to 28V DC
- Weight: 0.07 Kg
- Non linearity + hysteresis: <5% of the end of scale
- Zero thermic drift: <3% of the end of scale from 0 to 70°C
- Assembly: in every position

	Date	Name:	DESCRIPTION:	SCALE:
	30/01/2017	M.Gr.	TEMPERATURE TRANSDUCER	
	30/01/2017	A.A.		
ALL DIMENSION ARE IN MILLIMETER EXCEPT WHERE OTHERWISE NOTED 	Projection: ISO128	FOX S.r.l. Via Romagna 6 20090 Opera (MI) ITALY	DRAWING No/FILE NAME TT41-20_1M_IP67	SHEET 1 of 1